

ANA-QUICK® ACCESSORIES

O-RINGS

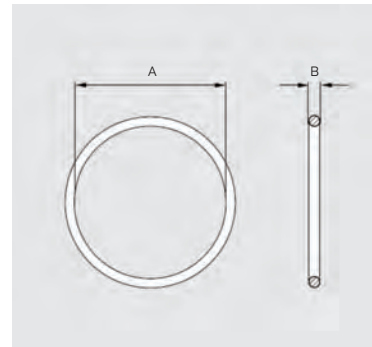


DESCRIPTION:

O-rings are to be placed on the first groove at the end of ANA-QUICK corrugated conduits in order to obtain a degree of protection up to IP68/IP69 between the conduit and the connector. Temperature range is -30°C to +100°C.

O-RINGS

Item ID	ND	Dimensions mm (inches)		Std. Pkg.
		A	B	
AROR-07B	7	6.35 (0.250)	1.3 (0.051)	100
AROR-10B	10	10.0 (0.394)	1.3 (0.051)	100
AROR-12B	12	11.5 (0.453)	1.5 (0.059)	100
AROR-17B	17	16.0 (0.630)	1.8 (0.071)	100
AROR-23B	23	22.0 (0.866)	2.0 (0.079)	50
AROR-29B	29	29.0 (1.142)	2.0 (0.079)	30
AROR-36B	36	34.0 (1.339)	2.3 (0.091)	20
AROR-48B	48	44.6 (1.756)	2.4 (0.095)	10



SEALING WASHERS



DESCRIPTION:

Sealing Washers allow the entry of cables into housings (boxes, cabinets, etc.) with a degree of protection up to IP68 or IP69 between the housing and the connector's base. Temperature range is -40°C to +200°.

SEALING WASHERS

Item ID	For Thread	Dimensions mm (inches)			Std. Pkg.
		A	B	C	
ARSW-M12M	M12x1.5	12 (0.472)	18 (0.709)	1.5 (0.059)	100
ARSW-M16M	M16x1.5	16 (0.630)	22 (0.866)	1.5 (0.059)	100
ARSW-M20M	M20x1.5	20 (0.787)	27 (1.063)	1.5 (0.059)	100
ARSW-M25M	M25x1.5	25 (0.984)	35 (1.378)	1.5 (0.059)	50
ARSW-M32M	M32x1.5	32 (1.260)	43 (1.693)	1.5 (0.059)	30
ARSW-M40M	M40x1.5	40 (1.579)	55 (2.165)	1.5 (0.059)	20
ARSW-M50M	M50x1.5	50 (1.969)	69 (2.717)	1.5 (0.059)	10

