

NON-METALLIC SEALTITE® SERIES

NON-METALLIC FITTINGS FITTINGS FOR NMUA/NMEF TYPE B ONLY



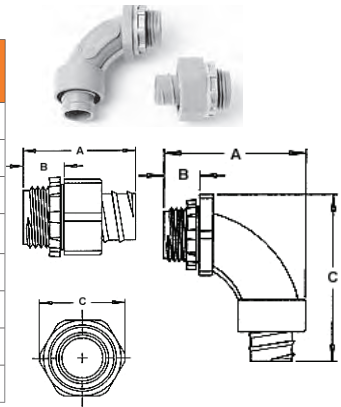
SPECIFICATIONS

- Colour: grey
- Temp. range: Dry: -18°C to +90°C (0°F to +194°F)
- UV (sunlight) resistant
- CSA Approved #620817
- UL Approved #E211327

ONE PIECE:

Trade Size	Item ID	A	B	C	KO Size NPT	Weight kg(lb)/Pkg	Std Pkg
Dimensions - STRAIGHT							
3/8"	NMSC38	34.29 (1.350)	13.59 (0.535)	31.52 (1.241)	1/2"	0.3 (0.7)	25
1/2"	NMSC50	36.58 (1.440)	13.59 (0.535)	31.34 (1.234)	1/2"	0.3 (0.7)	25
3/4"	NMSC75	38.48 (1.515)	13.59 (0.535)	38.61 (1.520)	3/4"	0.5 (1.1)	25
Dimensions - 90°							
3/8"	NMSC9038	53.34 (2.100)	13.59 (0.535)	62.03 (2.442)	1/2"	0.5 (1.1)	25
1/2"	NMSC9050	53.34 (2.100)	13.59 (0.535)	63.60 (2.504)	1/2"	0.5 (1.1)	25
3/4"	NMSC9075	62.36 (2.455)	13.59 (0.535)	71.91 (2.831)	3/4"	0.9 (2.0)	25

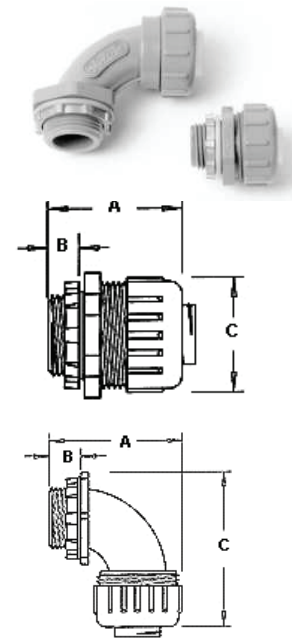
All dimensions in mm (inches) unless stated



3 PIECE:

Trade Size	Item ID	A	B	C	KO Size NPT	Weight kg(lb)/Pkg	Std Pkg
Dimensions - STRAIGHT							
3/8"	NMLT38	36.20 (1.425)	13.59 (0.535)	36.09 (1.421)	1/2"	0.5 (1.1)	25
1/2"	NMLT50	36.20 (1.425)	13.59 (0.535)	36.09 (1.421)	1/2"	0.5 (1.1)	25
3/4"	NMLT75	37.46 (1.475)	13.97 (0.550)	40.21 (1.583)	3/4"	0.3 (0.7)	10
1"	NMLT100	49.53 (1.950)	17.02 (0.670)	48.89 (1.925)	1"	0.3 (0.7)	5
1-1/4"	NMLT125	56.31 (2.217)	16.38 (0.645)	61.42 (2.418)	1-1/4"	0.4 (0.9)	5
1-1/2"	NMLT150	54.74 (2.155)	16.76 (0.660)	68.58 (2.700)	1-1/2"	0.3 (0.7)	2
2"	NMLT200	60.96 (2.400)	17.02 (0.670)	85.34 (3.360)	2"	0.4 (0.9)	2
Dimensions - 90°							
3/8"	NMLT9038	59.06 (2.325)	13.20 (0.562)	61.98 (2.440)	1/2"	0.3 (0.7)	10
1/2"	NMLT9050	59.06 (2.325)	13.34 (0.562)	61.98 (2.440)	1/2"	0.3 (0.7)	10
3/4"	NMLT9075	64.77 (2.550)	12.95 (0.545)	72.14 (2.840)	3/4"	0.4 (0.9)	10
1"	NMLT90100	80.01 (3.150)	17.15 (0.630)	99.62 (3.922)	1"	0.4 (0.9)	5
1-1/4"	NMLT90125	112.77 (4.440)	17.78 (0.645)	118.11 (4.650)	1-1/4"	0.7 (1.5)	5
1-1/2"	NMLT90150	114.55 (4.510)	15.34 (0.660)	122.17 (4.810)	1-1/2"	0.4 (0.9)	2
2"	NMLT90200	128.57 (5.062)	17.27 (0.670)	135.13 (5.320)	2"	0.6 (1.3)	2

All dimensions in mm (inches) unless stated



SWIVEL (0-90 DEGREE)

Trade Size	Item ID	A	B	C	D	KO Size NPT	Weight kg/Pkg	Std Pkg
Dimensions - Swivel 0-90°								
1/2"	NMLT5090	70.23 (2.765)	49.40 (1.945)	59.03 (2.324)	60.63 (2.387)	1/2"	0.4 (0.9)	10
3/4"	NMLT7590	89.92 (3.540)	65.79 (2.590)	82.55 (3.250)	71.63 (2.820)	3/4"	0.6 (1.3)	10

All dimensions in mm (inches) unless stated

