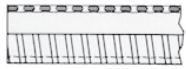
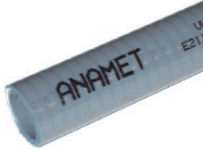


Sealtite Type NMUA/NMEF: Non-metallic Flexible Conduit

NMUA:



Co-extruded spiral with smooth inner and outer walls

Trade	Item	Std. Pkg.	Inside Diameter	Outside Diameter		Bend	Weight (Kg)
Size	ID	METERS	Min	Min	Max	Diameter	Per Meter
3/8" (12)	39302	30	12.29 (0.484)	17.50 (0.690)	18.00 (0.710)	102 (4.0)	0.17
1/2" (16)	39312	30	15.80 (0.622)	20.80 (0.820)	21.30 (0.840)	165 (6.5)	0.23
	39313	150					
	39314	300					
3/4" (21)	39322	30	20.83 (0.820)	26.17 (1.030)	26.67 (1.050)	216 (8.5)	0.30
	39323	150					
1" (27)	39331	30	26.44 (1.041)	32.80 (1.290)	33.40 (1.315)	330 (13.0)	0.40
1-1/4" (35)	39341	15	35.05 (1.380)	41.40 (1.630)	42.20 (1.660)	406 (16.0)	0.53
1-1/2" (41)	39353	15	40.01 (1.575)	47.40 (1.865)	48.30 (1.900)	457 (18.0)	0.67
2" (53)	39361	15	51.31 (2.020)	59.40 (2.340)	60.30 (2.375)	564 (22.2)	1.00
2-1/2" (63)	39371	8	62.99 (2.480)	72.10 (2.840)	73.00 (2.875)	635 (25.0)	1.35

NMEF:



Co-extruded spiral with smooth inner wall

Trade	Item	Std. Pkg.	Inside Diameter	Outside Diameter		Bend	Weight (Kg)
Size	ID	METERS	Min	Min	Max	Diameter	Per Meter
3/8" (12)	39802	30	12.29 (0.484)	17.50 (0.690)	18.00 (0.710)	102 (4.0)	0.13
1/2" (16)	39812	30	15.80 (0.622)	20.80 (0.820)	21.30 (0.840)	165 (6.5)	0.17
3/4" (21)	39822	30	20.83 (0.820)	26.17 (1.030)	26.67 (1.050)	216 (8.5)	0.20
1" (27)	39831	30	26.44 (1.041)	32.80 (1.290)	33.40 (1.315)	330 (13.0)	0.30
1-1/4" (35)	39841	30	35.05 (1.380)	41.40 (1.630)	42.20 (1.660)	406 (16.0)	0.33
1-1/2" (41)	39853	15	40.01 (1.575)	47.40 (1.865)	48.30 (1.900)	457 (18.0)	0.40
2" (53)	39861	15	51.31 (2.020)	59.40 (2.340)	60.30 (2.375)	564 (22.2)	0.67

* 2-1/2" is not CSA or UL Approved.

All dimensions in mm (inches)

Sealtite Type NMUA and NMEF:

- Non-metallic Type B liquid-tight conduit & tubing
- Designed for standard commercial and industrial applications
- Approved in US (per NEC) for direct burial applications
- Also available by special order in other colours. (consult factory)
- Uses special non-metallic connectors for easy installation. Can also be used with standard liquid-tight connector.
- RoHS compliant version available on request.
- Available in custom cut lengths

For connectors for this conduit, see page 23 (or 18-19)
For cutting instructions, see page 33
For Chemical Resistance, see page 34

SPECIFICATIONS:

- Co-extruded PVC conduit.
- Colour: Grey (NMUA)
- Colour: Black (NMEF)
- Temperature range: -18°C to +80°C
- UV (sunlight) Resistant
- Oil Resistant
- CSA Approved: # 20817
- UL Approved: # E211327

APPLICATIONS:

- HVAC industry
- Commercial and industrial applications requiring UL & CSA Approvals.

Anamet Canada Inc.
PO Box 550
Colborne, Ontario K0K 1S0

Phone: (905) 355-2122
Fax: (905) 355-3110
www.anametcanada.com
E-mail: csr@anametcanada.com

NON-METALLIC Series

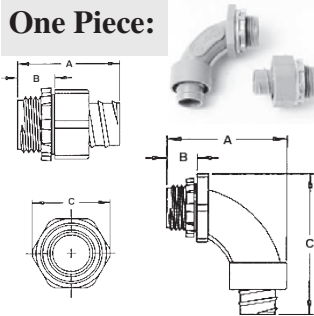
ANAMET



Non-Metallic Connectors: Connectors for NMUA/NMEF (ONLY)



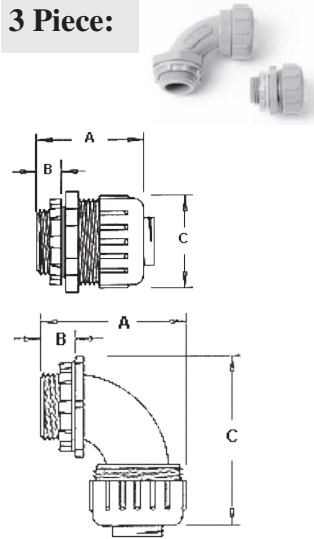
One Piece:



Trade	Item	Dimensions			KO Size	Weight	Standard
Size	ID	A	B	C		Kg/Pkg	Packaging
3/8"	NMSC38	34.29 (1.350)	13.59 (0.535)	31.52 (1.241)	1/2"	0.3	25
1/2"	NMSC50	36.58 (1.440)	13.59 (0.535)	31.34 (1.234)	1/2"	0.3	25
3/4"	NMSC75	38.48 (1.515)	13.59 (0.535)	38.61 (1.520)	3/4"	0.5	25
3/8"	NMSC9038	53.34 (2.100)	13.59 (0.535)	62.03 (2.442)	1/2"	0.5	25
1/2"	NMSC9050	53.34 (2.100)	13.59 (0.535)	63.60 (2.504)	1/2"	0.5	25
3/4"	NMSC9075	62.36 (2.455)	13.59 (0.535)	71.91 (2.831)	3/4"	0.9	25

All dimensions in mm (inches)

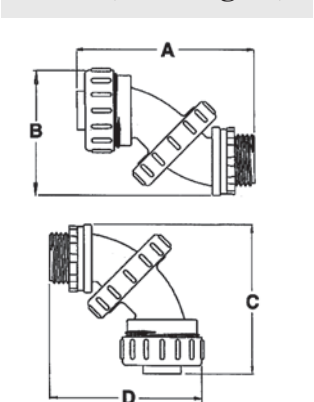
3 Piece:



Trade	Item	Dimensions			KO Size	Weight	Standard
Size	ID	A	B	C		Kg/Pkg	Packaging
3/8"	NMLT38	36.20 (1.425)	13.59 (0.535)	36.09 (1.421)	1/2"	0.5	25
1/2"	NMLT50	36.20 (1.425)	13.59 (0.535)	36.09 (1.421)	1/2"	0.5	25
3/4"	NMLT75	37.46 (1.475)	13.97 (0.550)	40.21 (1.583)	3/4"	0.3	10
1"	NMLT100	49.53 (1.950)	17.02 (0.670)	48.89 (1.925)	1"	0.3	5
1-1/4"	NMLT125	56.31 (2.217)	16.38 (0.645)	61.42 (2.418)	1-1/4"	0.4	5
1-1/2"	NMLT150	54.74 (2.155)	16.76 (0.660)	68.58 (2.700)	1-1/2"	0.3	2
2"	NMLT200	60.96 (2.400)	17.02 (0.670)	85.34 (3.360)	2"	0.4	2
3/8"	NMLT9038	59.06 (2.325)	13.20 (0.562)	61.98 (2.440)	1/2"	0.3	10
1/2"	NMLT9050	59.06 (2.325)	13.34 (0.562)	61.98 (2.440)	1/2"	0.3	10
3/4"	NMLT9075	64.77 (2.550)	12.95 (0.545)	72.14 (2.840)	3/4"	0.4	10
1"	NMLT90100	80.01 (3.150)	17.15 (0.630)	99.62 (3.922)	1"	0.4	5
1-1/4"	NMLT90125	112.77 (4.440)	17.78 (0.645)	118.11 (4.650)	1-1/4"	0.7	5
1-1/2"	NMLT90150	114.55 (4.510)	15.34 (0.660)	122.17 (4.810)	1-1/2"	0.4	2
2"	NMLT90200	128.57 (5.062)	17.27 (0.670)	135.13 (5.320)	2"	0.6	2

All dimensions in mm (inches)

Swivel (0-90 Degree):



Trade	Item	Dimensions				KO Size	Weight	Standard
Size	ID	A	B	C	D		Kg/Pkg	Packaging
1/2"	NMLT5090	70.23 (2.765)	49.40 (1.945)	59.03 (2.324)	60.63 (2.387)	1/2"	0.4	10
3/4"	NMLT7590	89.92 (3.540)	65.79 (2.590)	82.55 (3.250)	71.63 (2.820)	3/4"	0.6	10

All dimensions in mm (inches)



SPECIFICATIONS:

- Non-metallic PVC material
- Colour: Grey
- Temperature range: -18°C to +90°C
- UV (sunlight) Resistant
- CSA Approved: # LR49636
- UL Approved: # E60812

Phone: (905) 355-2122
 Fax: (905) 355-3110
 www.anametcanada.com
 E-mail: csr@anametcanada.com

Anamet Canada Inc.
 PO Box 550
 Colborne, Ontario K0K 1S0